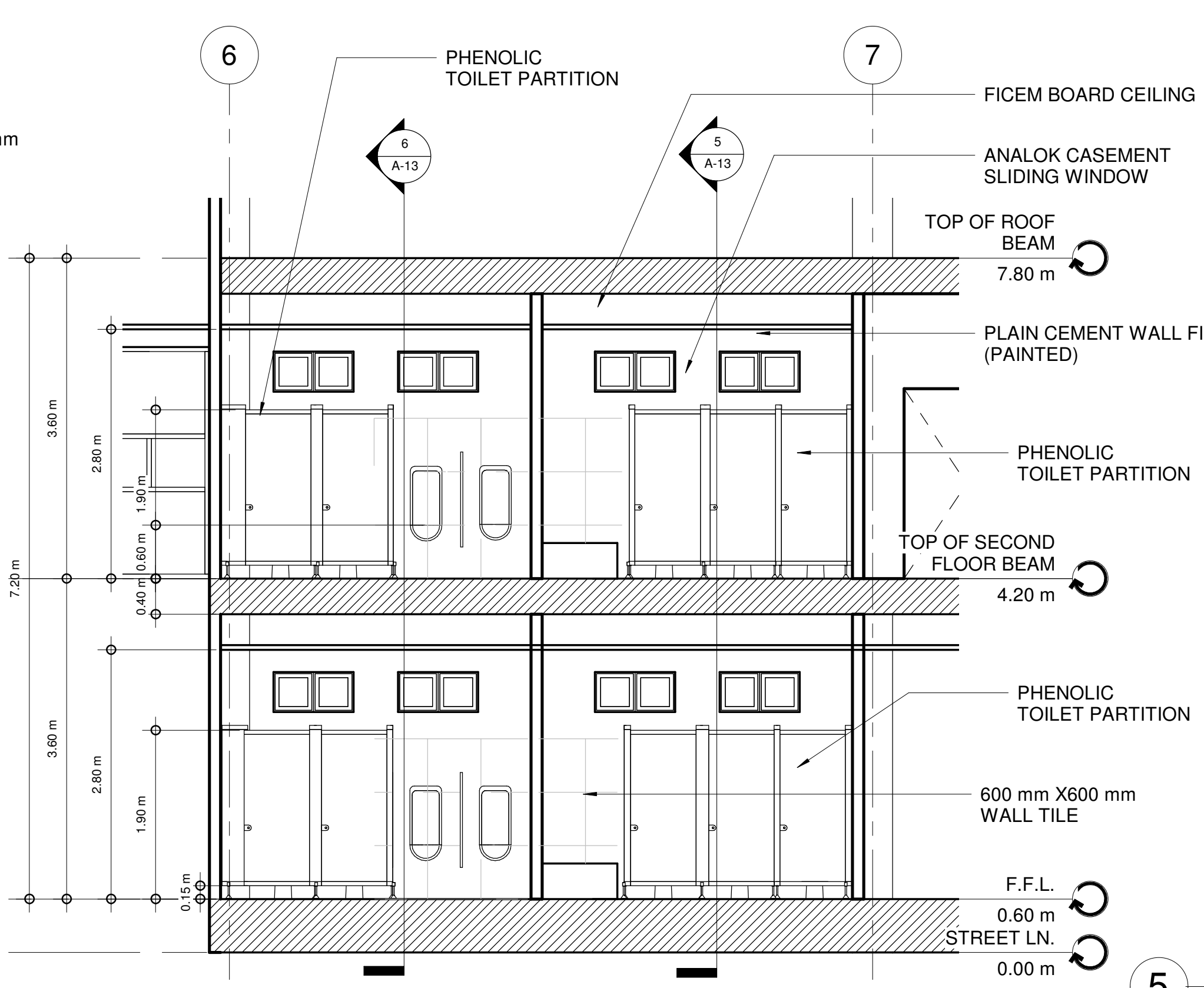


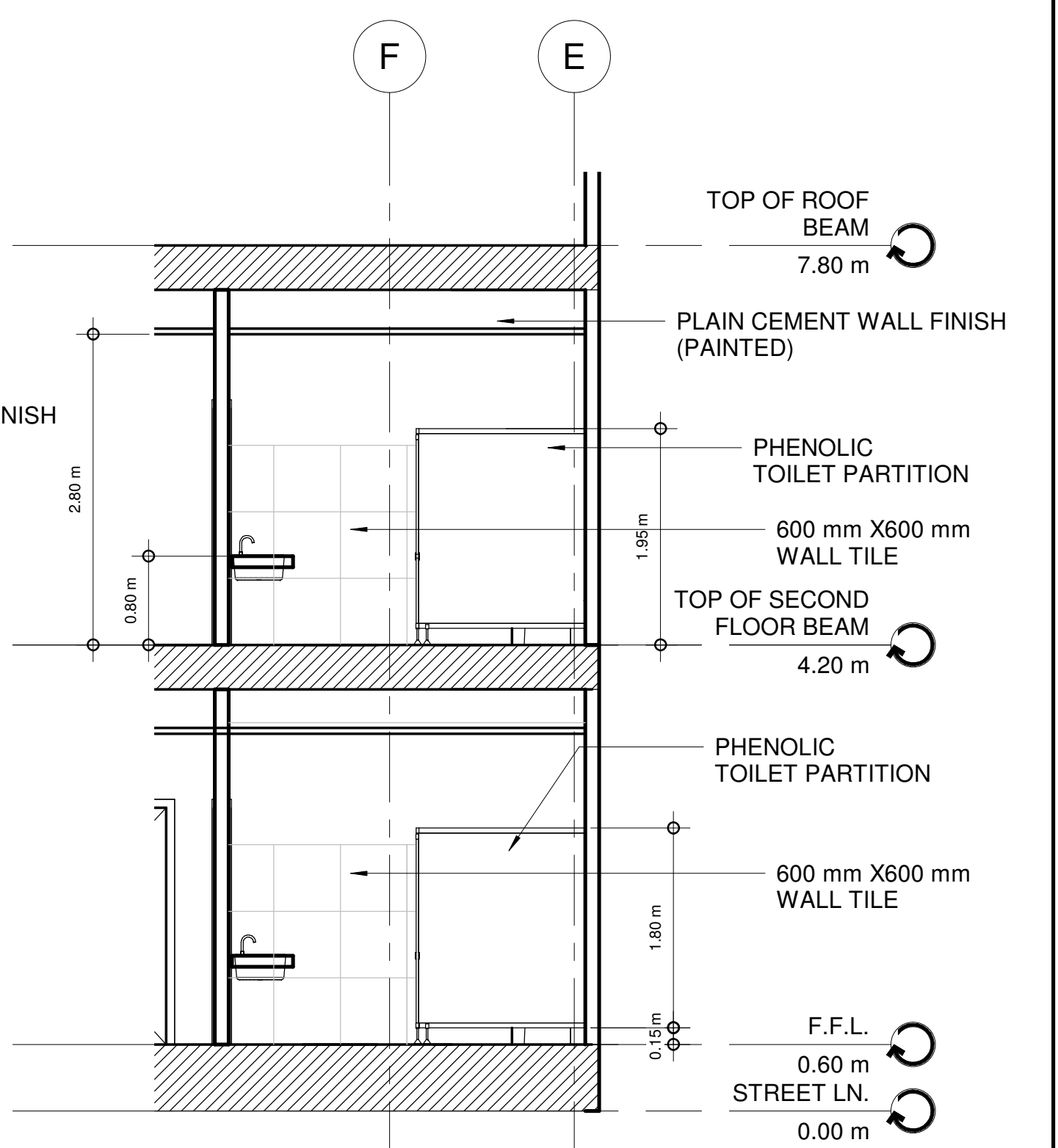
1 GROUND FLOOR COMFORT ROOM PLAN

1 : 50 meters



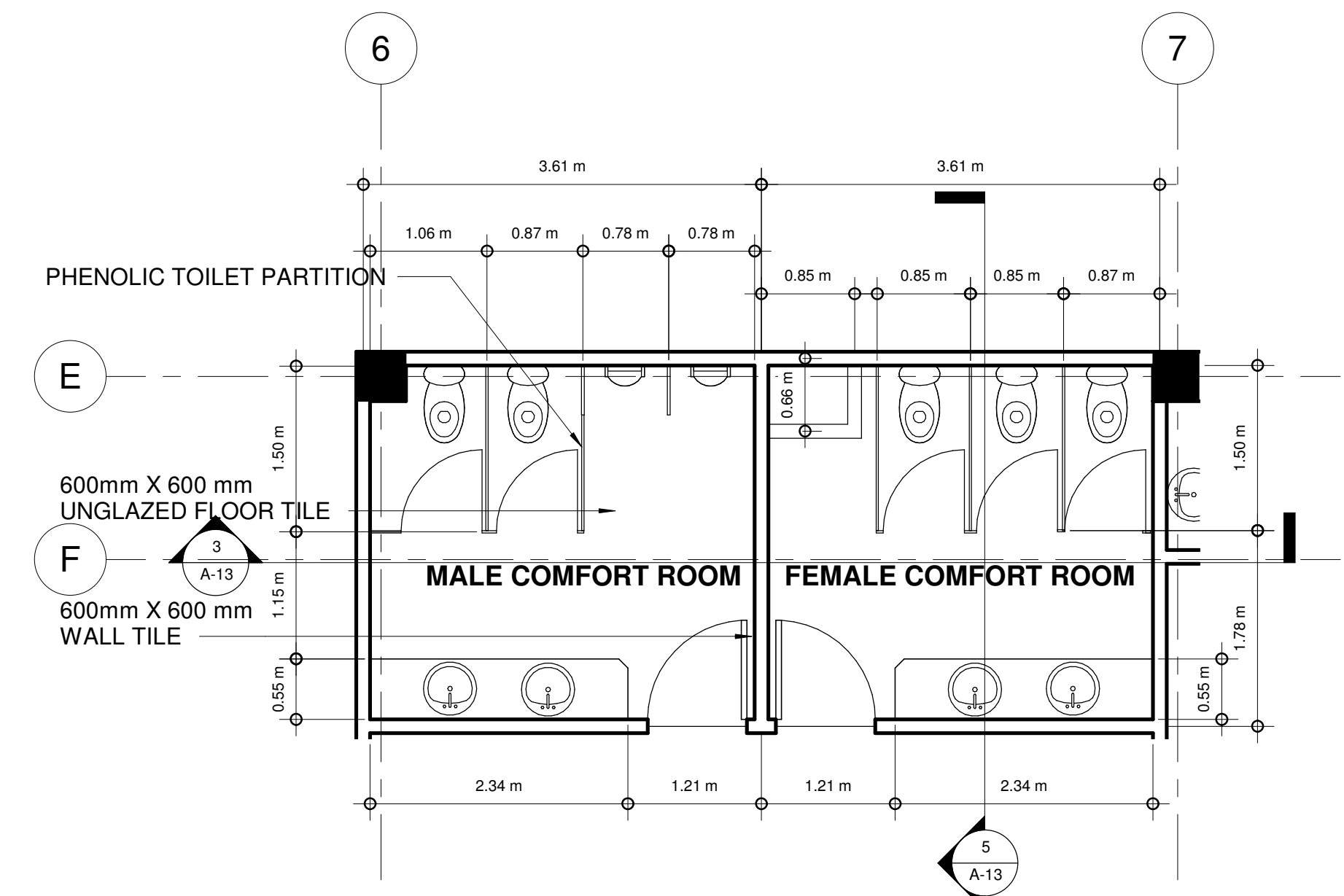
3 LONGITUDINAL SECTION THRU COMFORT ROOM

1 : 50 meters



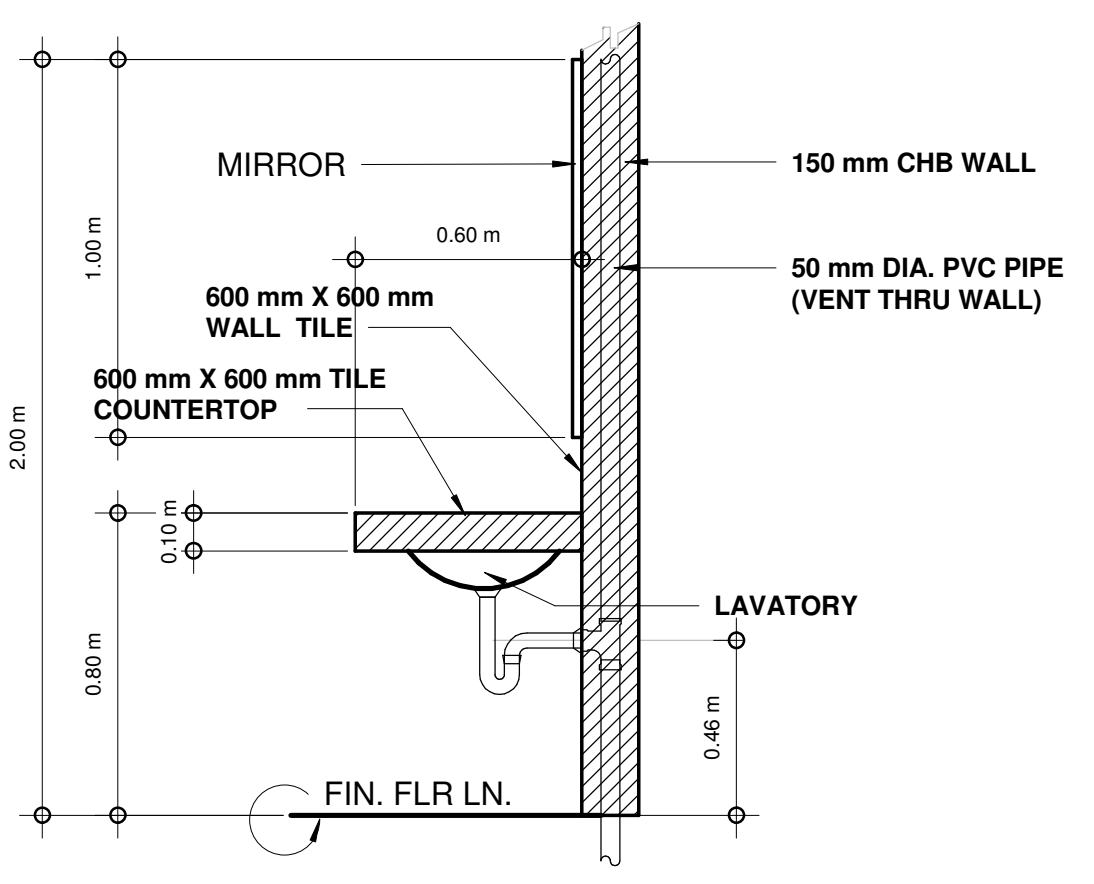
5 SECTION THRU FEMALE COMFORT ROOM

1 : 50 meters



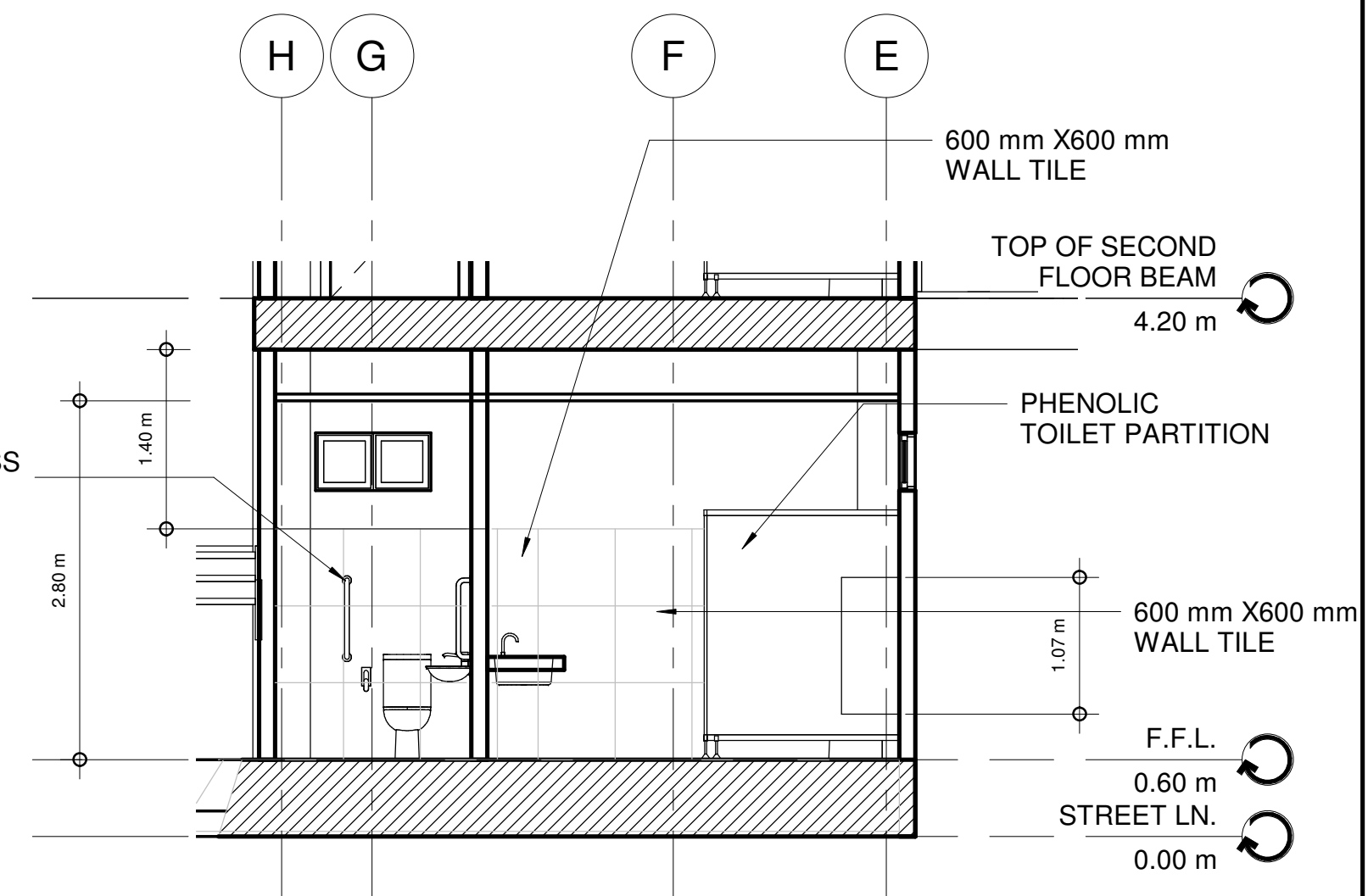
2 SECOND FLOOR COMFORT ROOM PLAN

1 : 50 meters



4 LAVATORY DETAIL

1 : 20 meters



6 SECTION THRU MALE COMFORT ROOM

1 : 50 meters

	FROM THE OFFICE: PHYSICAL PLANNING AND DEVELOPMENT OFFICE <small>2/F 202 ADMINISTRATION BLDG. MARIANO MARCOS STATE UNIVERSITY CITY OF BATAK, 2906 ILOCOS NORTE TELEFAX: +63 (77)92-3191</small>	DRAWN BY: BJAYA A. DAYANG <small>DRAFTSMAN I</small> PREPARED BY: PHILIP P. PADRE <small>ENGINEER I</small>	SIGNED & SEALED BY: AIDAY CABANG <small>ARCHITECT</small> <small>PRC NO.: 12274 PTR: 0147662 PLACE ISSUED: CITY OF BATAK DATE: JANUARY 06, 2022 TIN: 284-723-161</small>	PROJECT TITLE: CONSTRUCTION OF RDE BUILDING PHASE III LOCATION: MMSU CRL-CITY OF BATAK, ILOCOS NORTE	CHECKED/REVIEWED BY: AIDAY CABANG <small>ARCHITECT IV, CHIEF PHYSICAL PLANNING SECTION</small> RECOMMENDING APPROVAL: ROMEO R. DULDUALO <small>DIRECTOR, PPDO</small>	CONFORME: BJORN S. SANTOS <small>DIRECTOR, RESEARCH</small> APPROVED BY: SHIRLEY C. AGRUPIS <small>UNIVERSITY PRESIDENT</small>	SHEET CONTENTS: GROUND FLOOR COMFORT ROOM PLAN SECOND FLOOR COMFORT ROOM PLAN LONGITUDINAL SECTION THRU COMFORT ROOM LAVATORY DETAIL SECTION THRU FEMALE COMFORT ROOM SECTION THRU MALE COMFORT ROOM <small>Drawings and specifications and other contract documents duly signed, stamped or sealed, as instruments of service, are the intellectual property and documents of the architect, whether the object for which they are made is executed or not. It shall be unlawful for any person to duplicate or to make copies of said documents for use in the repetition of and for other project or building, whether executed party or in whole, without the written consent of architect or author of said document. Art. IV-Sec. 33RA9266</small>	SHEET NO: <div style="border: 1px solid black; border-radius: 50%; width: 30px; height: 30px; display: flex; align-items: center; justify-content: center; margin: 0 auto;"> A-13 13 16 </div>
--	---	--	---	---	--	--	--	---